

HIOKI

1999

3280 CLAMP ON HiTESTER

Field measuring instruments



Easy operation!



$\phi 33\text{mm}$ (1.30")
1000A AC

Actual-size



PAT.P CAT III 600V (A range)
CAT II 600V (V range)



ISO14001
JQA-E-90091



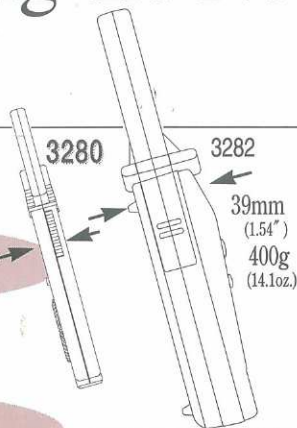
HIOKI company overview, new products, environmental considerations and other information are available on our web site.

User-Friendly, Safe, Easy Measurement.

Introducing the New CLAMP

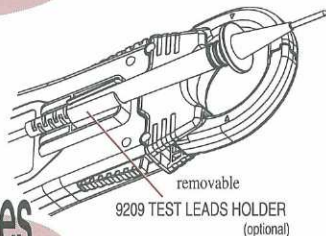
Features

Light **100g** (3.5 oz.), Slim **16mm** (0.63")



Right / Left hand

● **Removable Test Lead Holder** for convenient voltage measuring



Prevents careless mistakes

● **Auto-power save**
● **Non-fuse type** protects up to 250 V AC



In some cases, power lines may carry voltage spikes of several times the normal supply voltage. For reasons of safety, ordinary testers should not be used to measure power lines carrying more than 250V. When measuring such power lines, always use a tester with built-in overcurrent protection to guard against short circuits, such as models 3008 and a device showing the CAT III marking.

Note: The term "power line" refers to the entire electrical circuit providing power to factories, buildings and industrial machines. However, it does not include electrical circuits in ordinary dwellings (lines protected by fuses or circuit breakers).

3280 Specification (accuracy at 23°C ±5°C (73°F±9°F), 80% RH)

Function	Range (Accuracy)
AC current (50 / 60 Hz)	420.0 / 1000 A (±1.5%rdg, ±5dgt.)
DC voltage	420.0 m / 4.200 / 42.00 / 420.0 / 600 V (±1.3%rdg, ±4dgt.)
AC voltage (50 to 500 Hz)	4.200 / 42.00 / 420.0 / 600 V (±2.3%rdg, ±8dgt.)
Resistance (open terminal voltage 3.4 V max.*1)	420.0 / 4.200 k / 42.00 k / 420.0k / 4.200 M / 42.00M Ω (±2.0%rdg, ±4dgt.*2)
Continuity (open terminal voltage 3.4 V max.)	420.0 Ω (±2.0%rdg, ±6dgt.) (Buzzer sounds at approx 50Ω or less)

*1. at 420 Ω. (4.2k 0.7V (typ.) 42k to 42M 0.5V (typ.))

*2. at 420 to 420k Ω. (4.2M Ω ±5.0%rdg, ±4dgt. 42M Ω ±10.0%rdg, ±4dgt.)

● **AC measurement:** mean value ● **Ancillary functions:** auto ranging, data hold function, auto power save function, battery life warning function ● **Display:** Max.4199-count LCD ● **Sampling rate:** 2.5 times/sec (Fast), 1 times/3sec (Slow) ● **Measurable conductor diameter:** φ 33mm (1.30") max. ● **Max.usable circuit voltage:** 600Vrms ● **Max.allowable current:** 2000 A AC rms cont. ● **Effect of conductor position:** within ±5.0 % in any direction from the center of sensor ● **Overload protection:** DCV/ACV - 600 V DC

HIOKI

HIOKI E. E. CORPORATION

HEAD OFFICE :

81 Koizumi, Ueda, Nagano, 386-1192, Japan
TEL +81-268-28-0562 / FAX +81-268-28-0568
E-mail: os-com@hioki.co.jp

HIOKI USA CORPORATION :

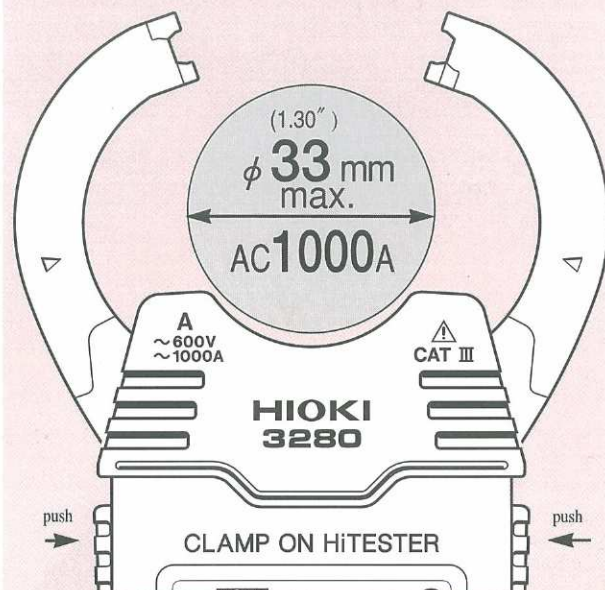
6 Corporate Drive, Cranbury, NJ 08512 USA
TEL +1-609-409-9109 / FAX +1-609-409-9108

DISTRIBUTED BY

All information correct as of Mar. 25, 1999. All specifications are subject to change without notice.

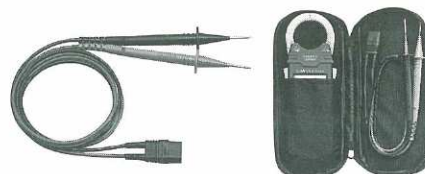
Internet HIOKI website <http://www.hioki.co.jp/>

Dual Action Jaw



- Independent-opening double-lever design
- Slim body design, allows easy clamping even for narrow conductors
- Eliminates of magnetization-induced heat and noise, even in heavy-current measurement
- No metal (iron core) exposure, ensuring enhanced safety
- Includes battery, carrying case, test leads and manual

/AC rms; ohms/continuity - 250 V DC/AC rms ● **Applicable standards:** safety - EN61010-1:1993 + A2:1995 Pollution degree 2 overvoltage category III (ACA), Anticipated transient overvoltage 6000 V, Pollution degree 2 overvoltage category II, Anticipated transient overvoltage 4000 V (AC/DCV); EMC - EN55011/EN50082-1 ● **Location for use:** Indoors, altitude up to 2000 m ● **Ambient temperature of use:** 0 to 40°C (32°F to 104°F), 80%RH (no condensation) ● **Storage temperature range:** -10 to 50°C (14°F to 122°F), (no condensation) ● **Power source:** CR2032 battery × 1 (3V DC) ● **Continuous operating time:** approx. 150 hours ● **Dimensions and mass:** Approx. 57 W × 175 H × 16 D mm, 100 g (Approx 2.2"(W) × 6.9"(H) × 0.6"(D), 3.5 oz.)
⚠ **WARNING** Inspect the unit and check that it is operating correctly before use. When carrying out measurement on live lines, wear proper protective gear, insulating rubber gloves, insulating rubber boots and safety helmet, and use extreme caution to avoid electric shock accidents.
⚠ **DANGER** In order to prevent short-circuits and injury, use the clamp product on electrical circuits with a voltage less than the maximum operation circuit voltage.



Include 9208 TEST LEADS and 9398 CARRYING CASE